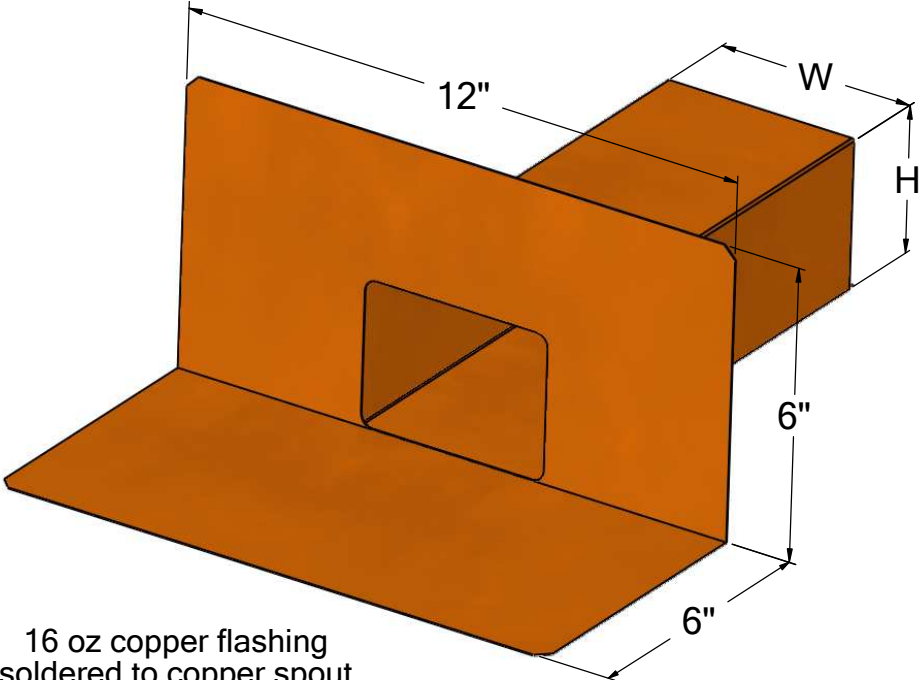


# COPPER SCUPPER

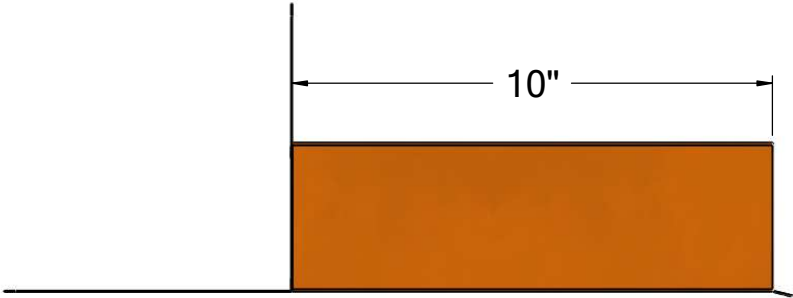
AVAILABLE IN MANU CUSTOM CONFIGURATIONS



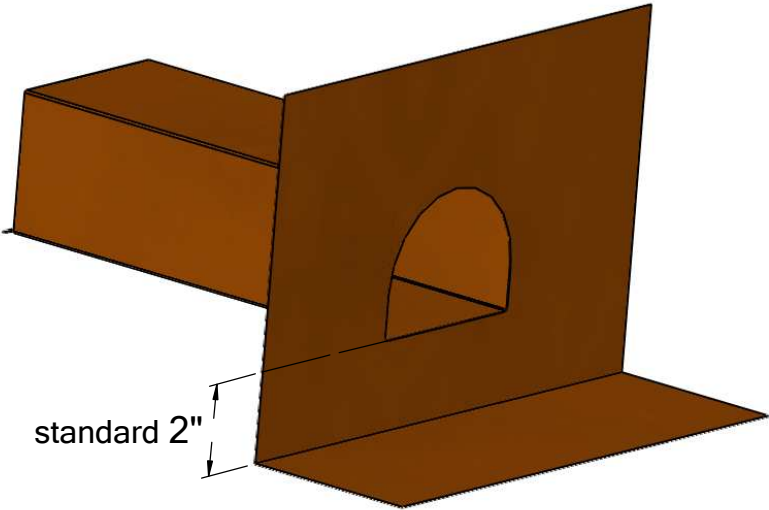
16 oz copper flashing soldered to copper spout

PART #	W	H
PS32	3"	2"
PS43	4"	3"
PS44	4"	4"
PS64	6"	4"
PS66	6"	6"

**THUNDERBIRD PRODUCTS**  
 1148 North Marshall Ave.  
 El Cajon, CA 92020  
 Tel: (800) 658-2473  
 Fax: (619) 448-9072



spout can be fabricated longer, shorter, or made to slope down



also available as overflow scupper