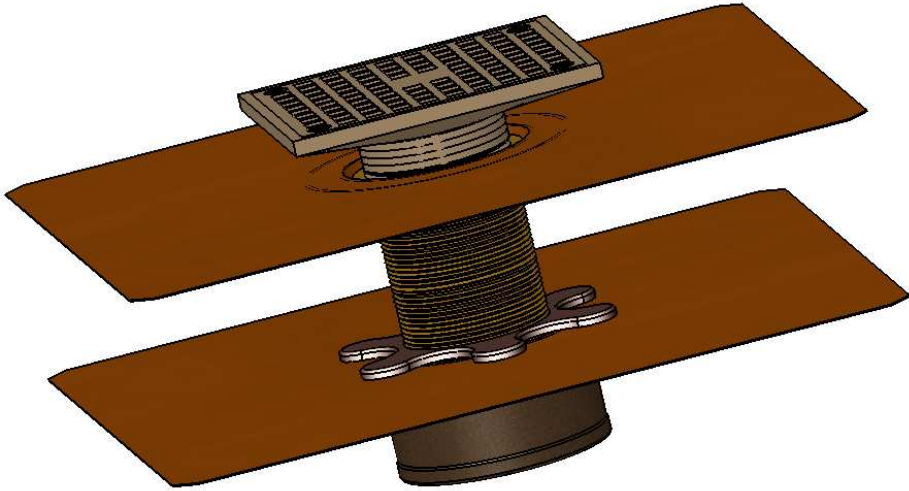
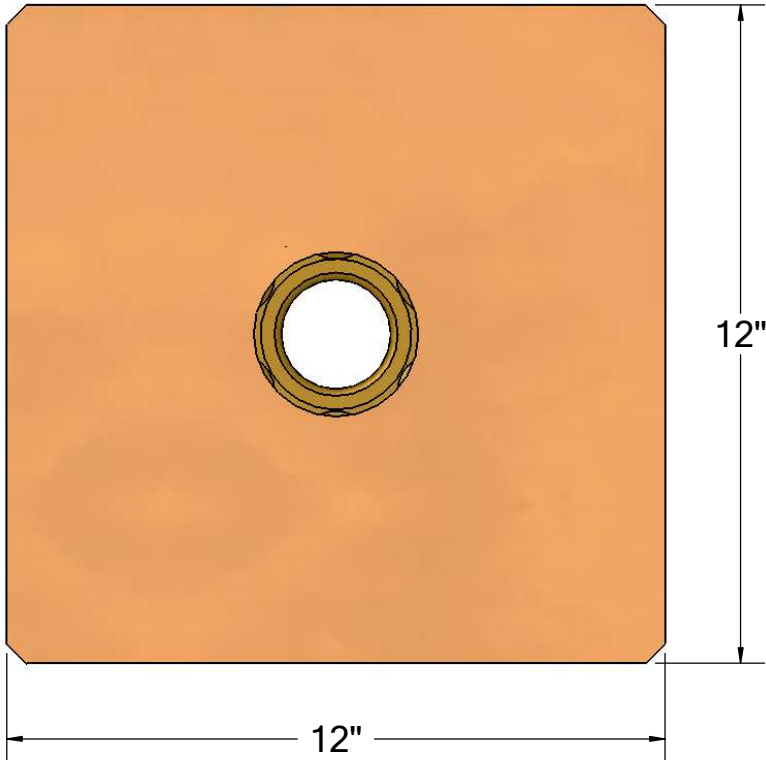
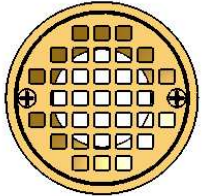


# DUAL MEMBRANE DRAIN

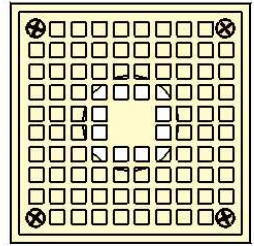
DESIGNED FOR USE WITH TWO LAYERS OF WATERPROOFING



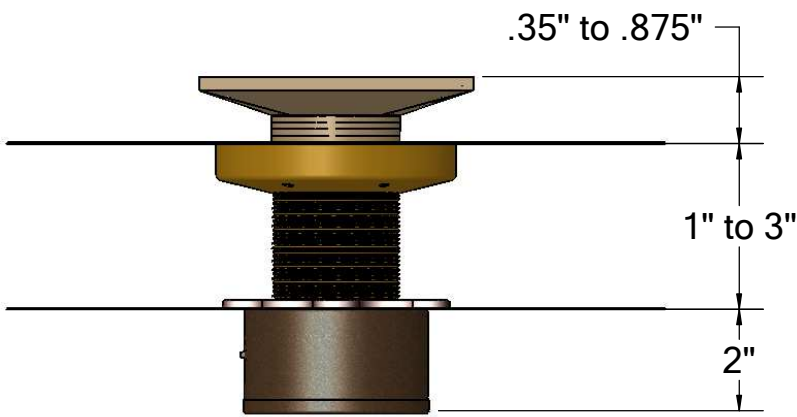
grate options:



Ø 4" bronze grate



5" x 5" nickel-bronze grate



**THUNDERBIRD PRODUCTS**  
1148 North Marshall Ave.  
El Cajon, CA 92020  
Tel: (800) 658-2473  
Fax: (619) 448-9072