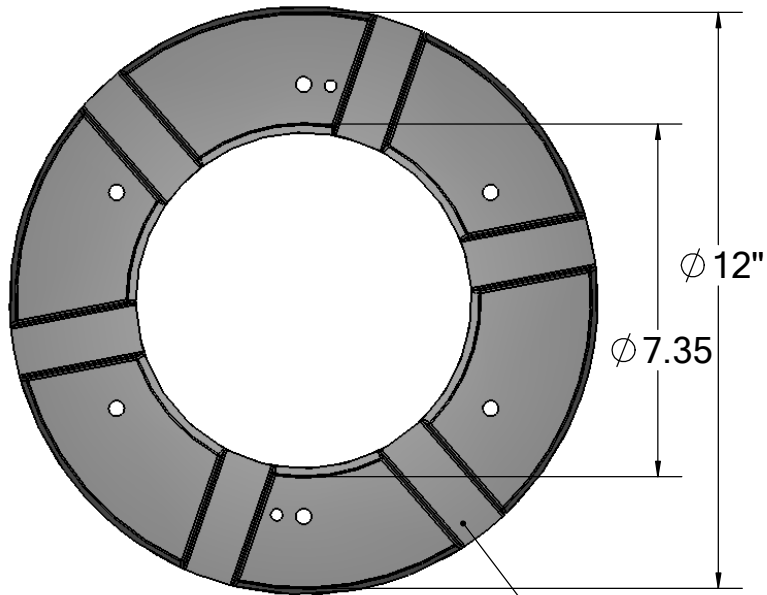


CLAMPING RING

AVAILABLE WITH ALL THUNDERBIRD ROOF DRAIN MODELS

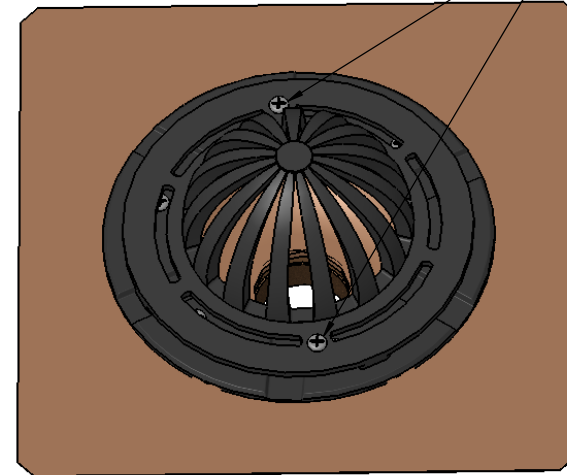


6 drainage channels on each side of clamping ring

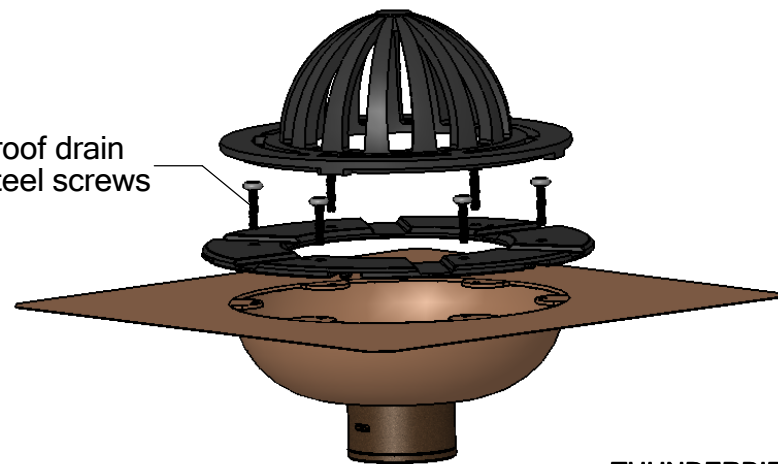
3/8" thick powder-coated aluminum clamping ring



dome strainer mounts securely to clamping ring



ring mounts to roof drain with 6 stainless steel screws



THUNDERBIRD PRODUCTS
1148 North Marshall Ave.
El Cajon, CA 92020
Tel: (800) 658-2473
Fax: (619) 448-9072