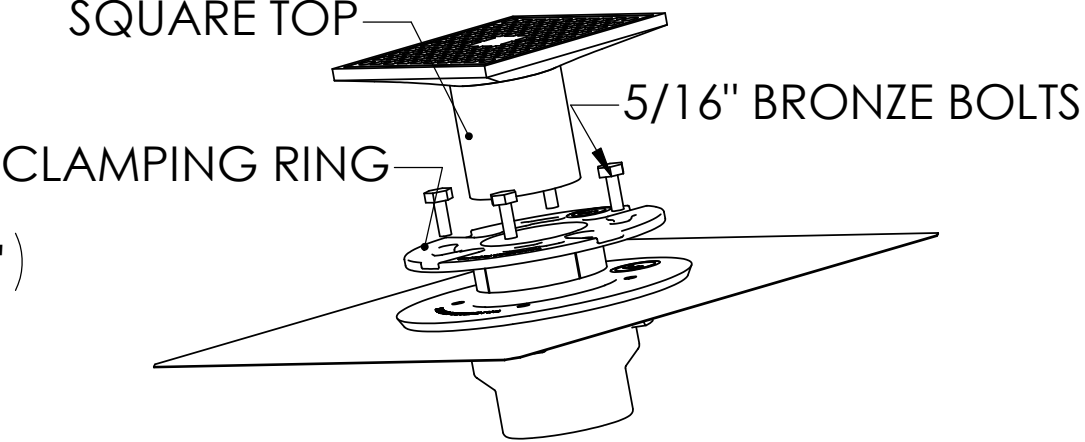
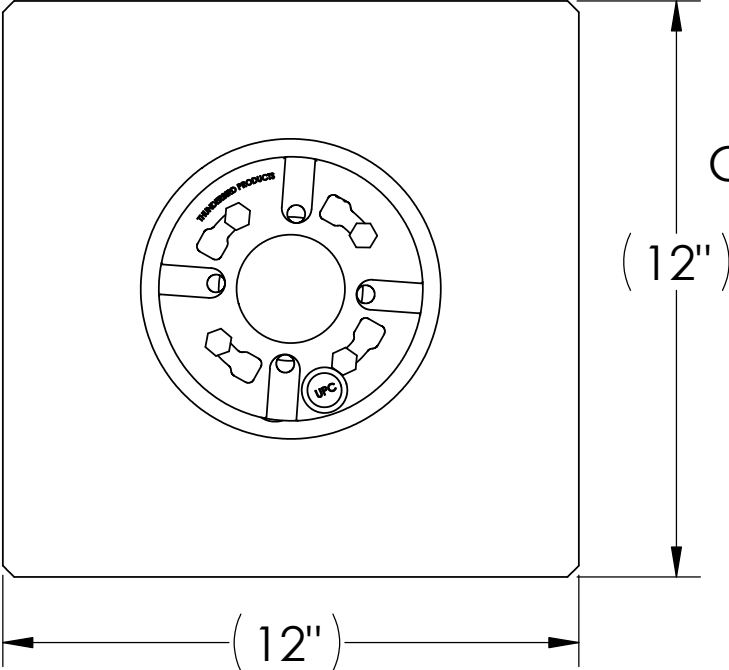


SHOWER/FLOOR DRAIN

PART #:	DESCRIPTION:
SD2-SQ.....	2" N.P.T. SHOWER DRAIN WITH SQUARE TOP
SD2-RN.....	2" N.P.T. SHOWER DRAIN WITH ROUND TOP



16 OZ. COPPER FLASHING ATTACHED TO BRONZE BASE WITH BRONZE CLAMPING RING. (AVAILABLE WITHOUT COPPER FLASHING.)

AVAILABLE WITH 5" X 5" NICKEL BRONZE SQUARE TOP, OR 4" BRONZE ROUND TOP. ADJUSTABLE FROM 1" TO 3".

