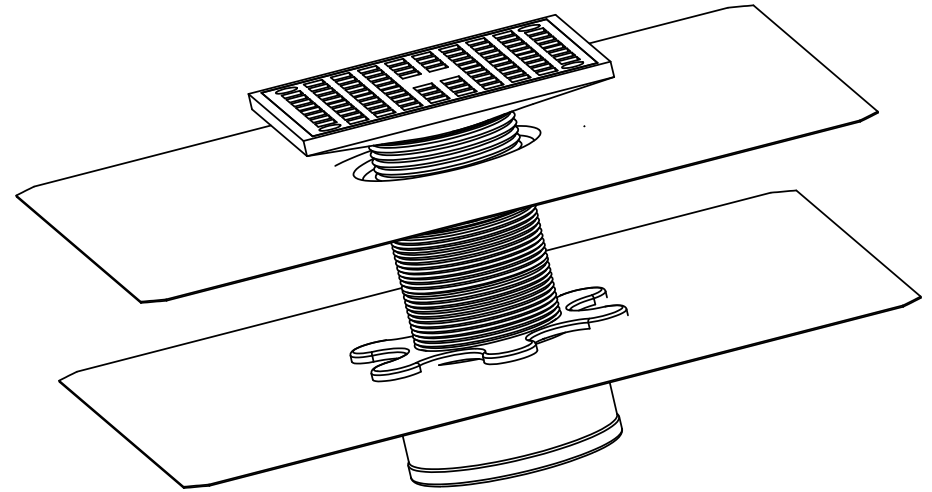
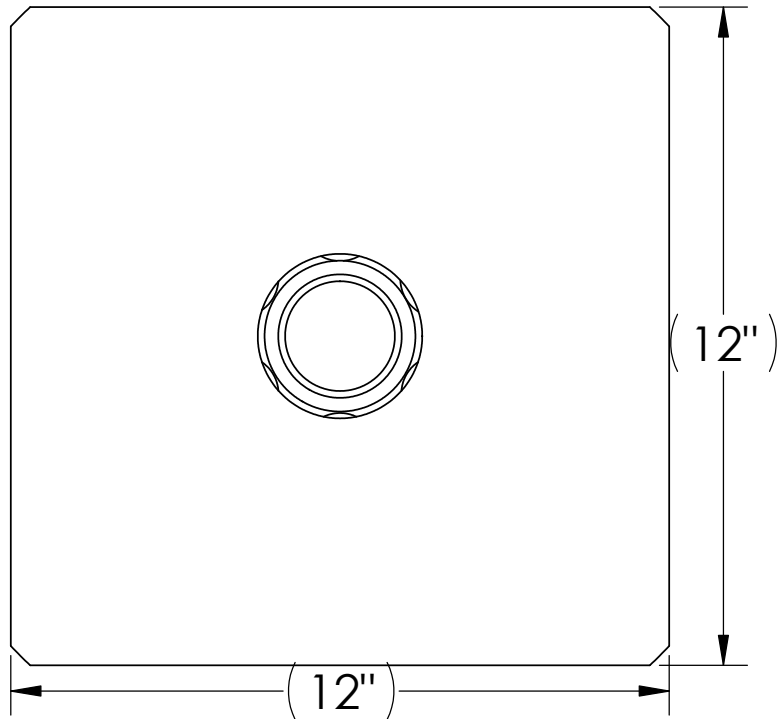
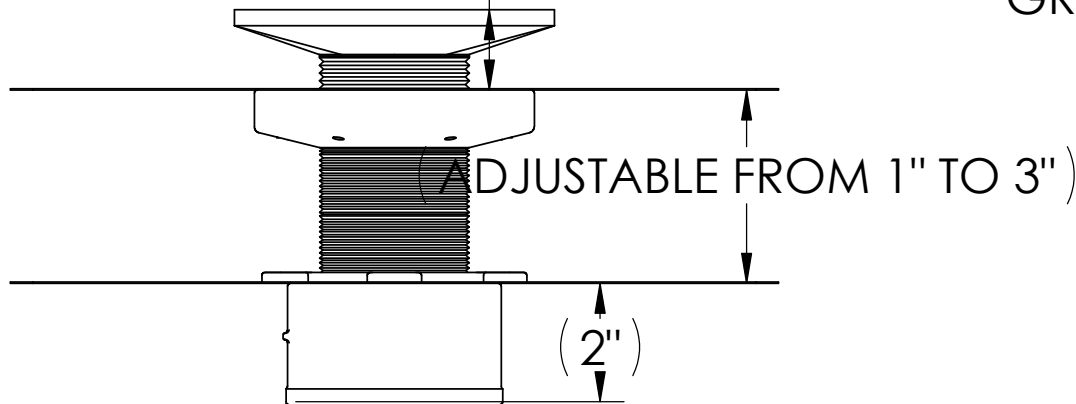


# DUAL MEMBRANE DRAIN

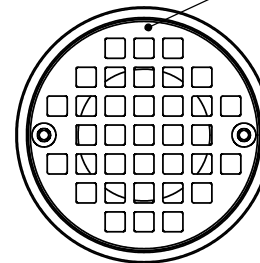
DESIGNED FOR USE WITH TWO LAYERS OF WATERPROOFING.



(ADJUSTABLE FROM)  
.35" TO .875"



4" ROUND, BRONZE  
GRATE



5" X 5" SQUARE,  
NICKEL BRONZE  
GRATE

