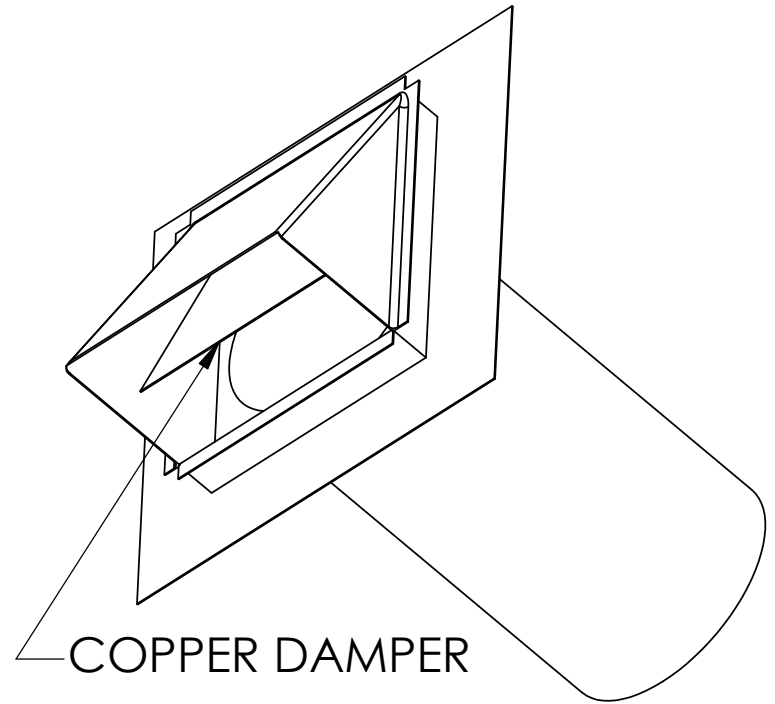
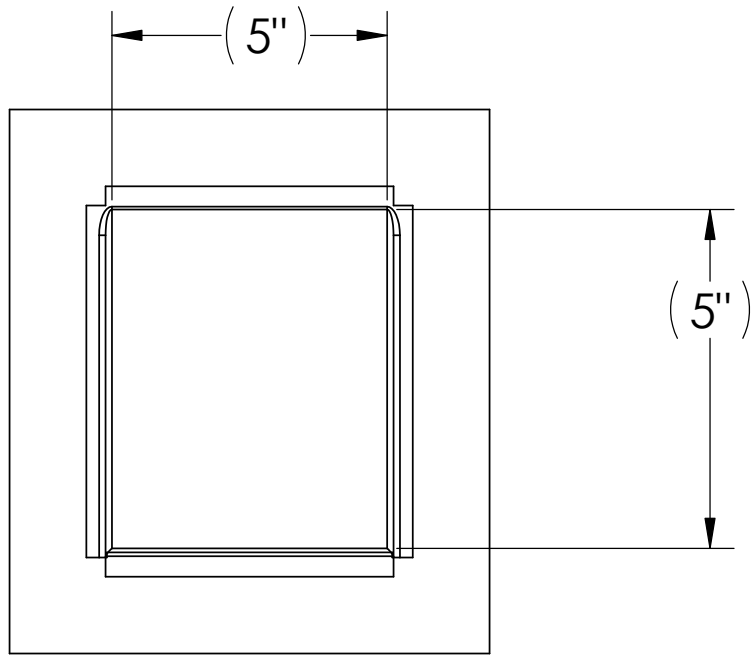
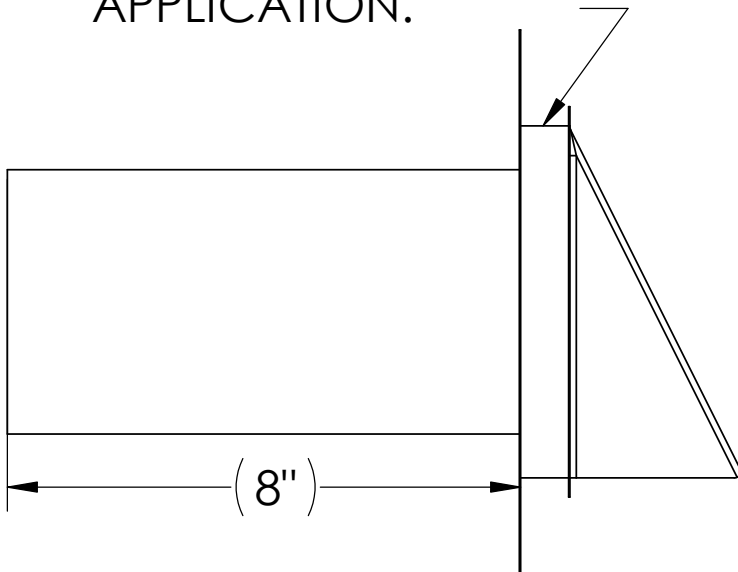


# COPPER DRYER VENT

FOR 4" CONNECTION. OTHER SIZES AVAILABLE.



J-MOLD FOR STUCCO APPLICATION.



FLUSH MOUNT FOR BRICK APPLICATION. (6" X 6")

